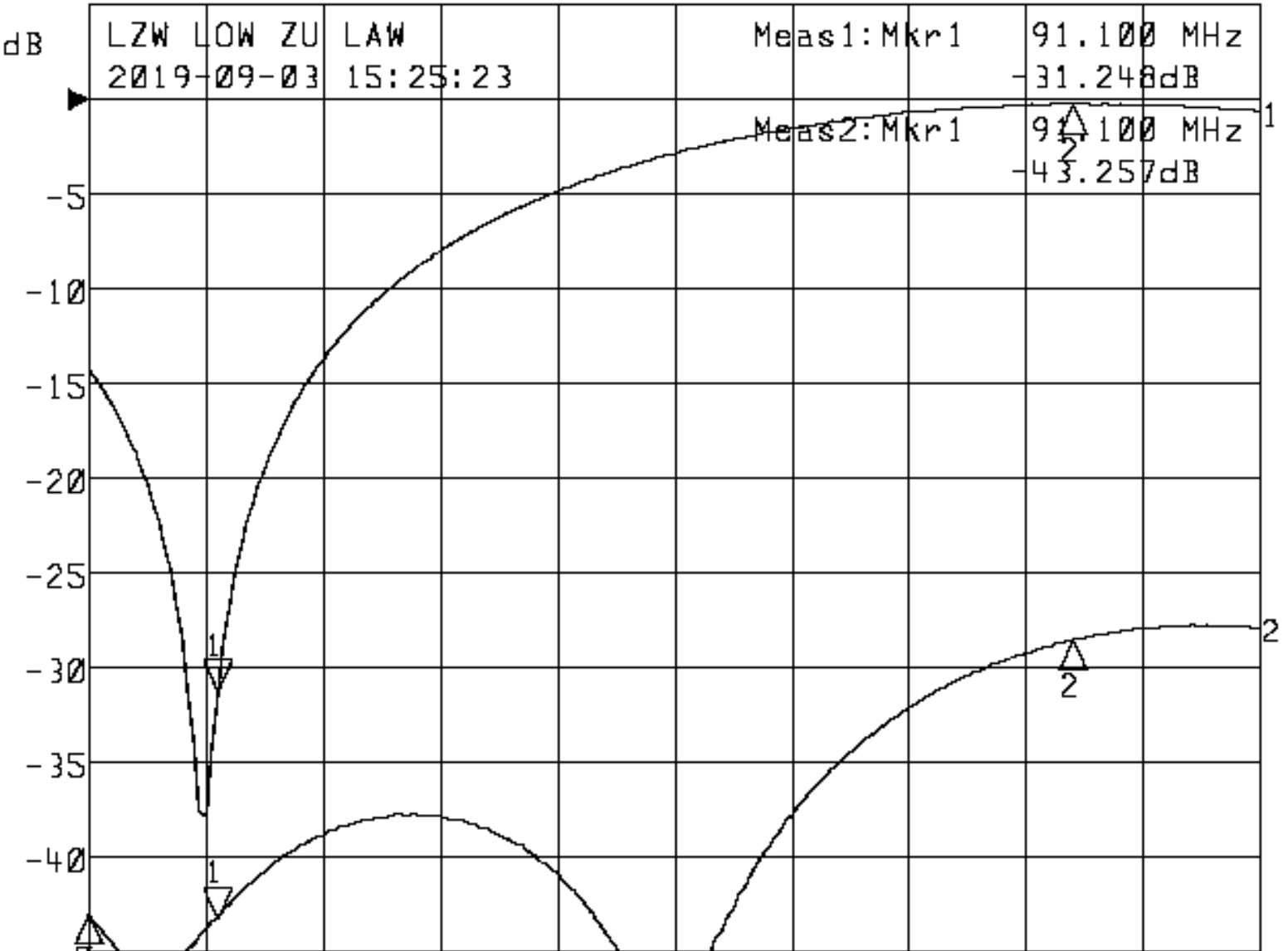


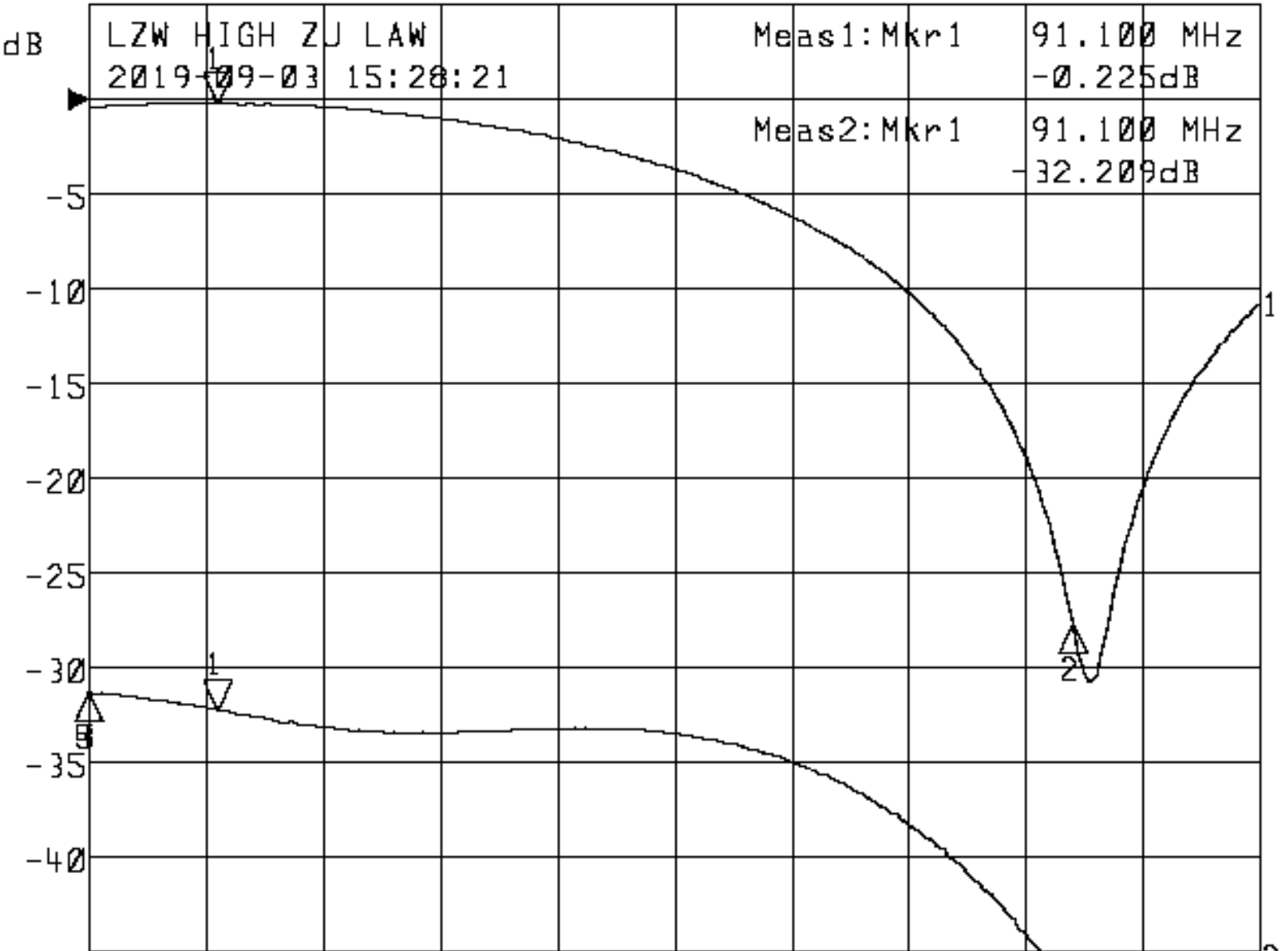
▶1: Transmission Log Mag 5.0 dB/ Ref 0.00 dB C
 ▶2: Reflection Log Mag 5.0 dB/ Ref 0.00 dB C



Start 90.000 MHz Stop 100.000 MHz
 Start 90.000 MHz Stop 100.000 MHz

1: Mkr (MHz)		dB		2: Mkr (MHz)		dB	
1 >	91.1000	-31.248		1 >	91.1000	-43.257	
2:	98.4000	-0.232		2:	98.4000	-28.546	
				3:	90.0000	-42.972	
				4:	90.0000	-42.972	
				5:	90.0000	-42.972	

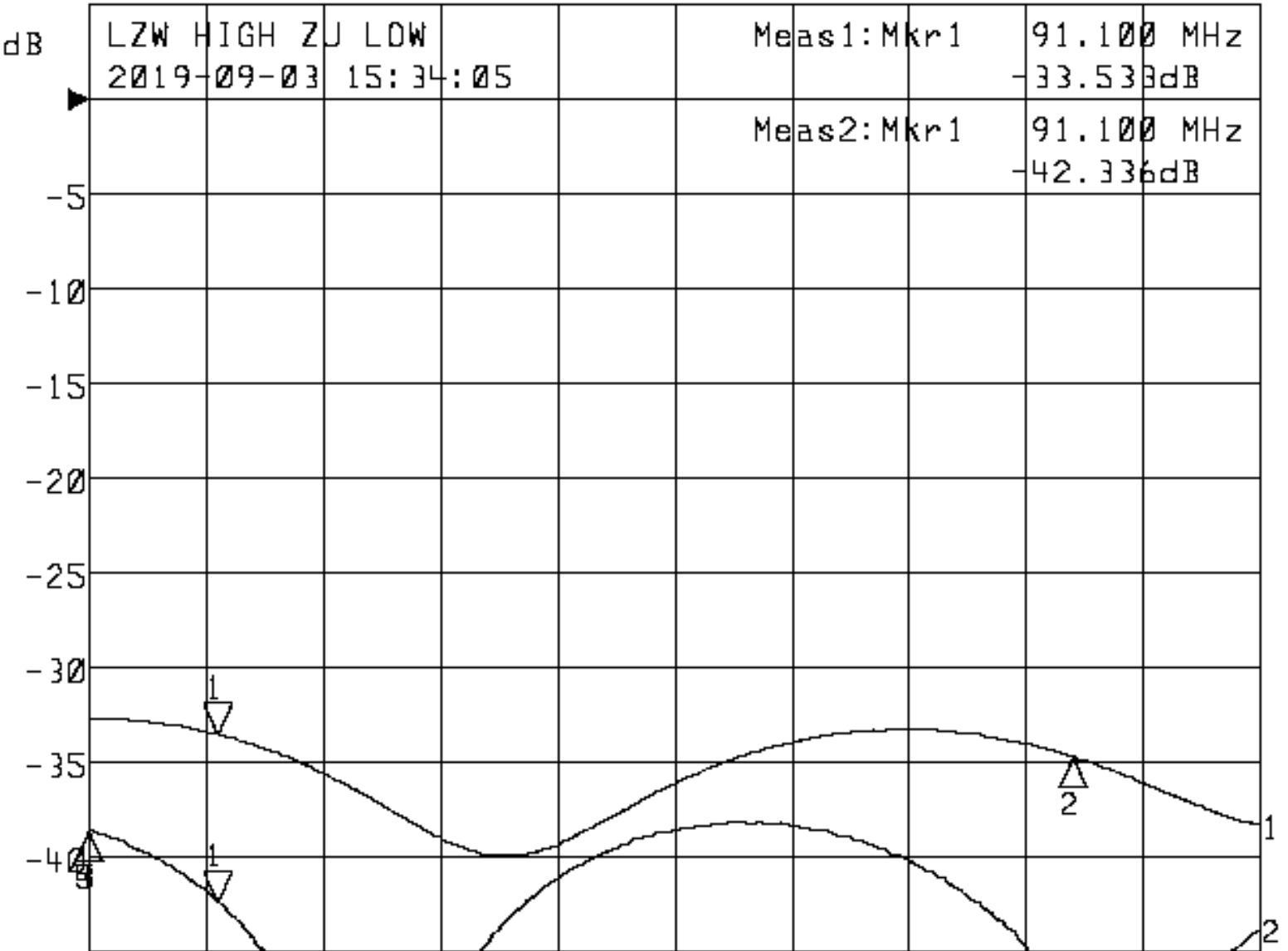
▶1: Transmission Log Mag 5.0 dB/ Ref 0.00 dB C
 ▶2: Reflection Log Mag 5.0 dB/ Ref 0.00 dB C



Start 90.000 MHz Stop 100.000 MHz
 Start 90.000 MHz Stop 100.000 MHz

1: Mkr (MHz)	dB	2: Mkr (MHz)	dB
1 > 91.1000	-0.225	1 > 91.1000	-32.209
2: 98.4000	-27.645	2: 98.4000	-47.064
		3: 90.0000	-31.305
		4: 90.0000	-31.305
		5: 90.0000	-31.305

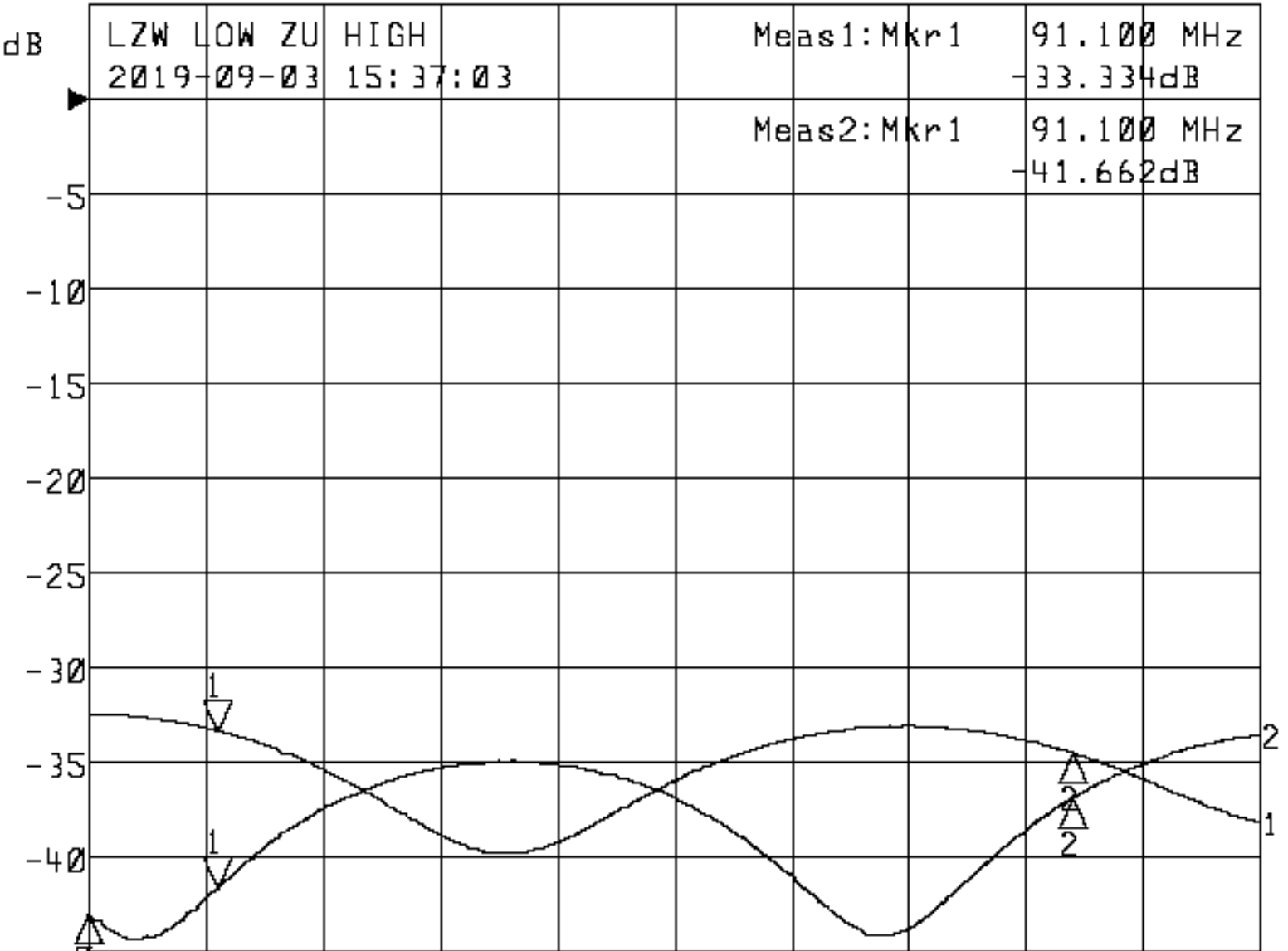
▶1: Transmission Log Mag 5.0 dB/ Ref 0.00 dB C
 ▶2: Reflection Log Mag 5.0 dB/ Ref 0.00 dB C



Start 90.000 MHz Stop 100.000 MHz
 Start 90.000 MHz Stop 100.000 MHz

1: Mkr (MHz)	dB	2: Mkr (MHz)	dB
1> 91.1000	-33.533	1> 91.1000	-42.336
2: 98.4000	-34.709	2: 98.4000	-47.086
		3: 90.0000	-38.613
		4: 90.0000	-38.613
		5: 90.0000	-38.613

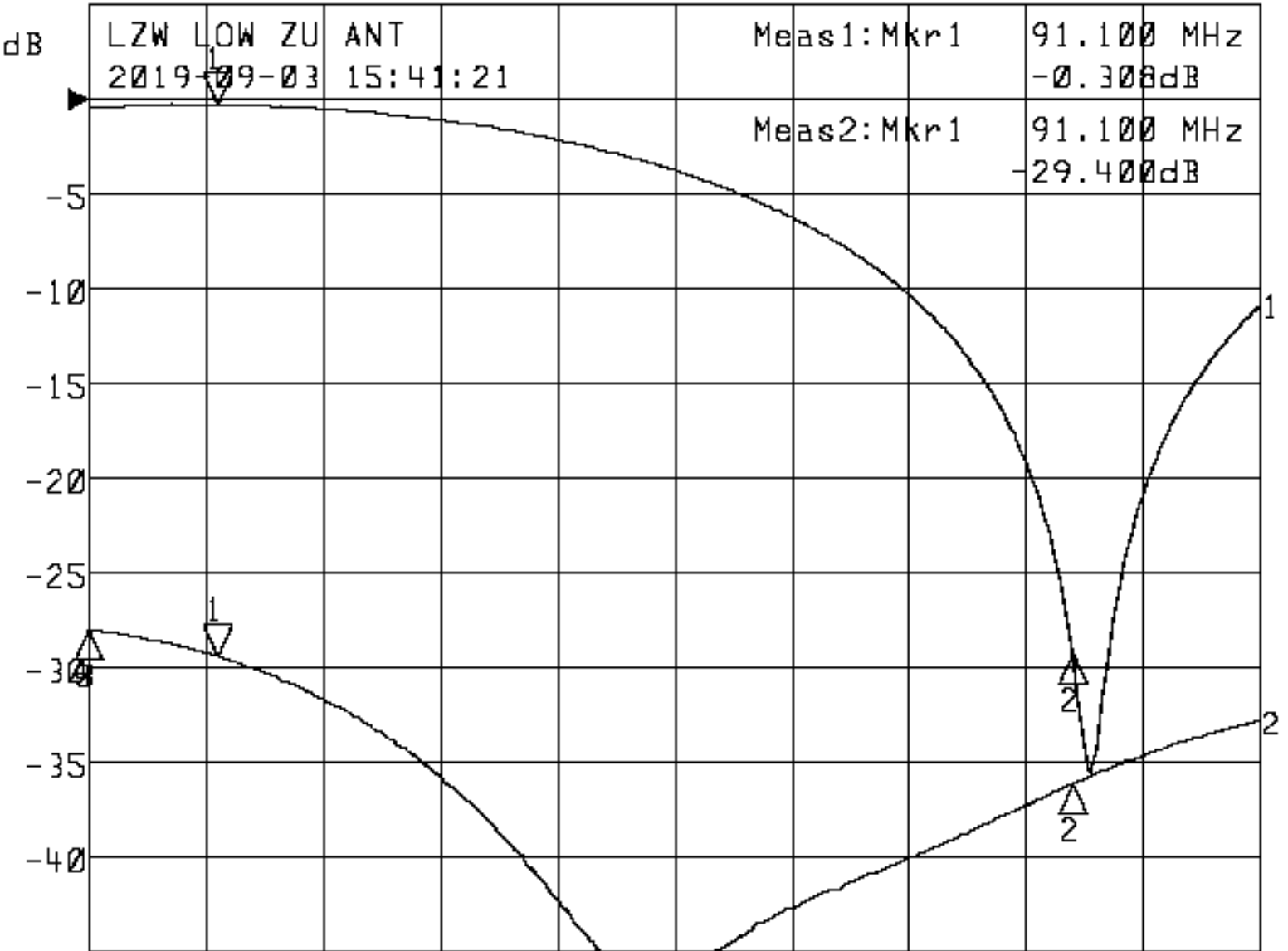
▶1: Transmission Log Mag 5.0 dB/ Ref 0.00 dB C
 ▶2: Reflection Log Mag 5.0 dB/ Ref 0.00 dB C



Start 90.000 MHz Stop 100.000 MHz
 Start 90.000 MHz Stop 100.000 MHz

1: Mkr (MHz)	dB	2: Mkr (MHz)	dB
1> 91.1000	-33.334	1> 91.1000	-41.662
2: 98.4000	-34.514	2: 98.4000	-36.897
		3: 90.0000	-43.026
		4: 90.0000	-43.026
		5: 90.0000	-43.026

▶1: Transmission Log Mag 5.0 dB/ Ref 0.00 dB C
 ▶2: Reflection Log Mag 5.0 dB/ Ref 0.00 dB C

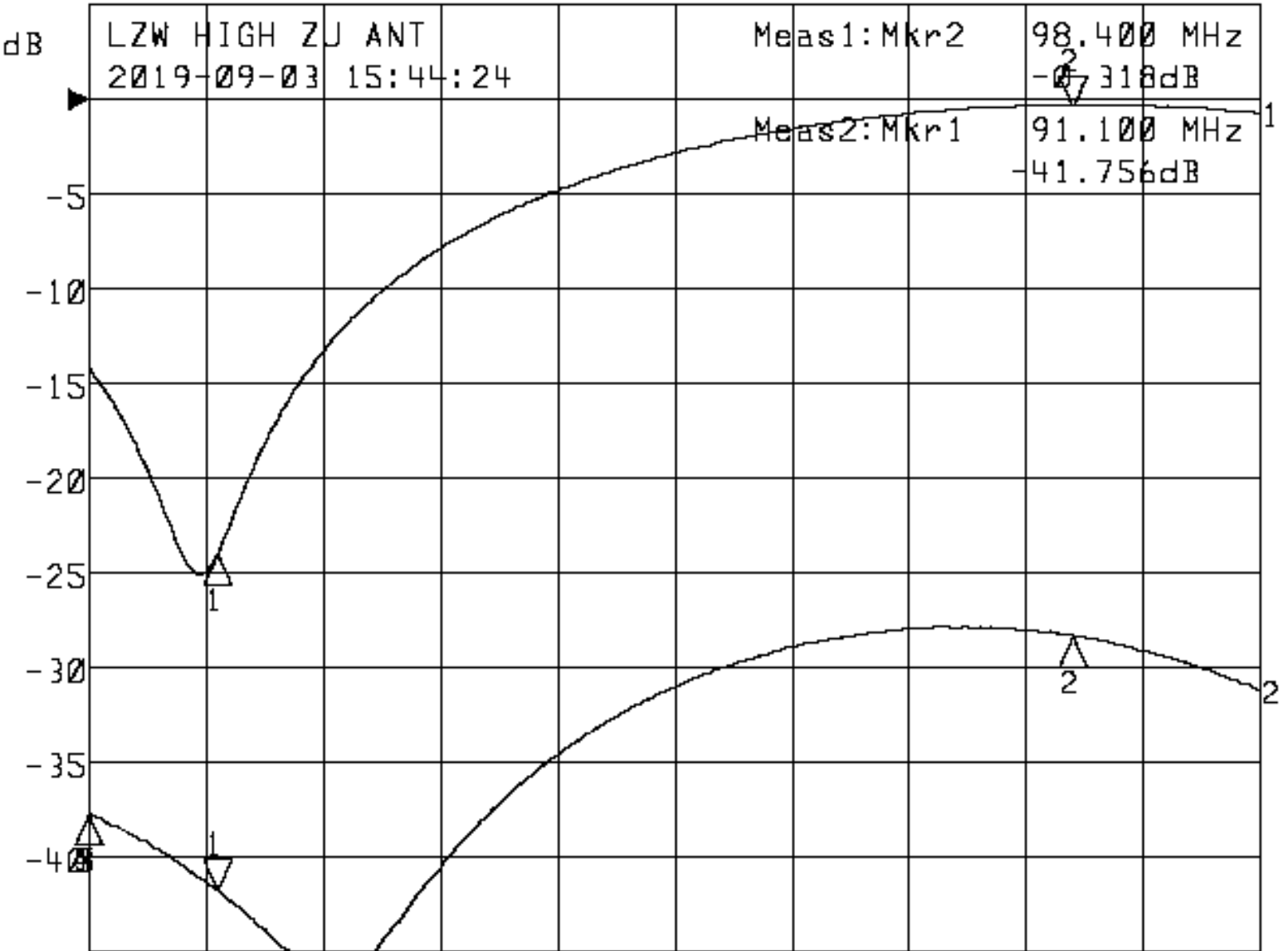


Start 90.000 MHz Stop 100.000 MHz

Start 90.000 MHz Stop 100.000 MHz

1: Mkr (MHz)	dB	2: Mkr (MHz)	dB
1> 91.1000	-0.308	1> 91.1000	-29.400
2: 98.4000	-29.309	2: 98.4000	-36.156
		3: 90.0000	-28.023
		4: 90.0000	-28.023
		5: 90.0000	-28.023

▶1: Transmission Log Mag 5.0 dB/ Ref 0.00 dB C
 ▶2: Reflection Log Mag 5.0 dB/ Ref 0.00 dB C



Start 90.000 MHz Stop 100.000 MHz

Start 90.000 MHz Stop 100.000 MHz

1: Mkr (MHz)	dB	2: Mkr (MHz)	dB		
1:	91.1000	-24.004	1>	91.1000	-41.756
2>	98.4000	-0.318	2:	98.4000	-28.320
			3:	90.0000	-37.719
			4:	90.0000	-37.719
			5:	90.0000	-37.719